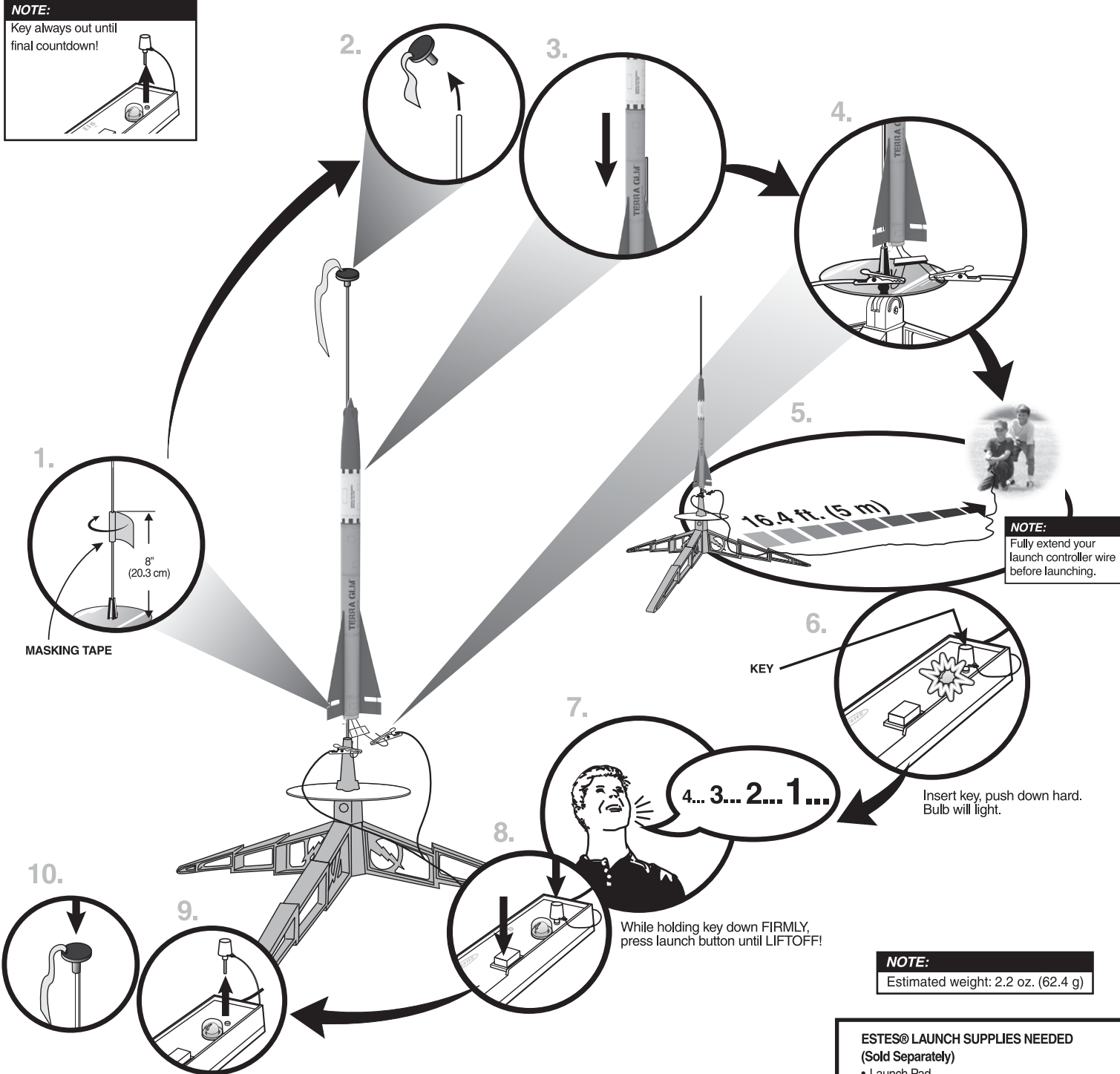


COUNTDOWN & LAUNCH



NOTE:
Key always out until final countdown!

NOTE:
Fully extend your launch controller wire before launching.

NOTE:
Estimated weight: 2.2 oz. (62.4 g)

- ESTES® LAUNCH SUPPLIES NEEDED (Sold Separately)**
- Launch Pad
 - Launch Controller
 - Recovery Wadding
 - Starters (with engines)
 - Plugs (with engines)
 - Estes® Engines: B4-4, B6-4, C6-5

PRECAUTIONS

NAR SAFETY CODE

NO DRY GRASS OR WEEDS

PRE-LAUNCH CHECK For safety, never launch a damaged rocket. Check the rocket's body, nose cone and fins. Also, check the engine mount, recovery system and launch lug(s). Repair any damage before launching the rocket.

FLYING YOUR ROCKET Choose a large field (500 ft. [152 m] square) free of dry weeds and brown grass. The larger the launch area, the better your chance of recovering your rocket. Football fields and playgrounds are great. Launch only with little or no wind and good visibility. Always follow the National Association of Rocketry (NAR) SAFETY CODE (enclosed).

MISFIRES TAKE THE KEY OUT OF THE CONTROLLER. WAIT ONE MINUTE BEFORE GOING NEAR THE ROCKET. Disconnect the micro-clips and remove the engine. Take the plug and starter out of the engine. A burned starter means the starter tip is not touching engine propellant. Install a new starter; be sure the tip is touching propellant inside the engine. Push the plug in place. Repeat steps under Countdown and Launch.



EstesRockets.com

TERRA GLM™

7292



MODEL ROCKET INSTRUCTIONS

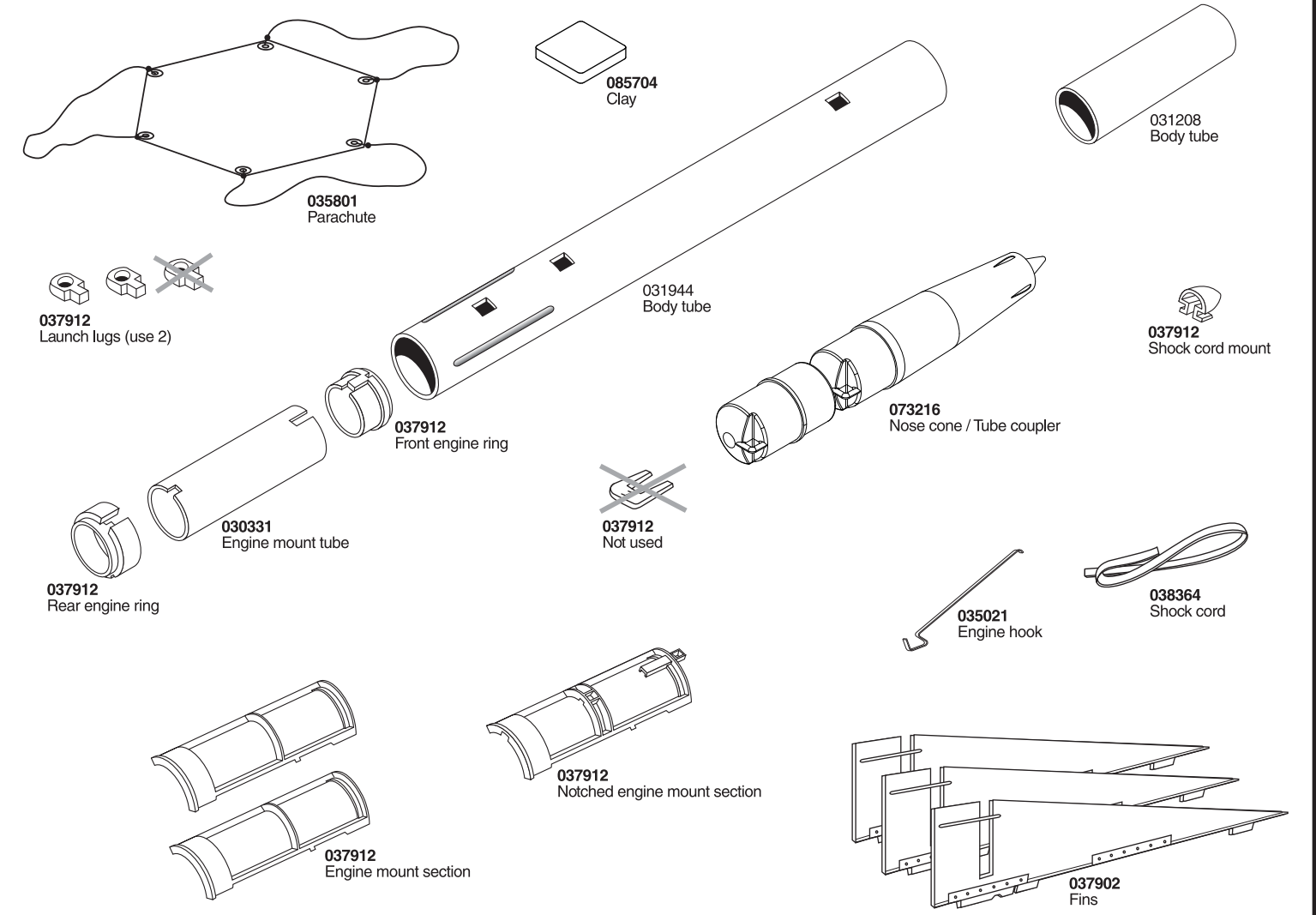
KEEP FOR FUTURE REFERENCE

IMPORTANT: Please record date found on decal and keep for future reference. _____

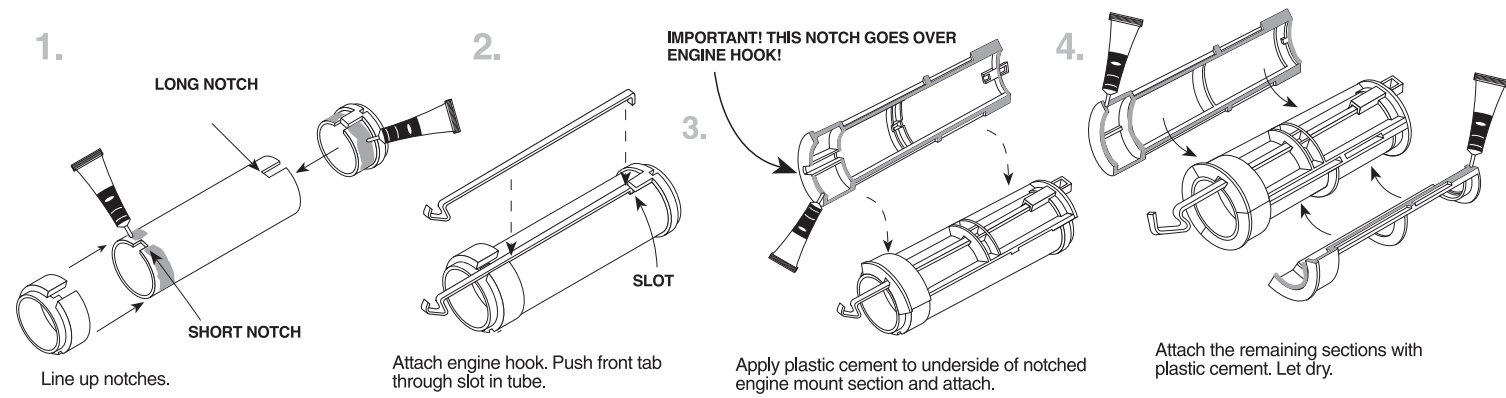
Read all instructions. Make sure you have all parts and supplies. Test fit all parts before applying glue. Product color and shape may vary.

- SUPPLIES**
- HOBBY KNIFE
 - PLASTIC CEMENT
 - MASKING TAPE

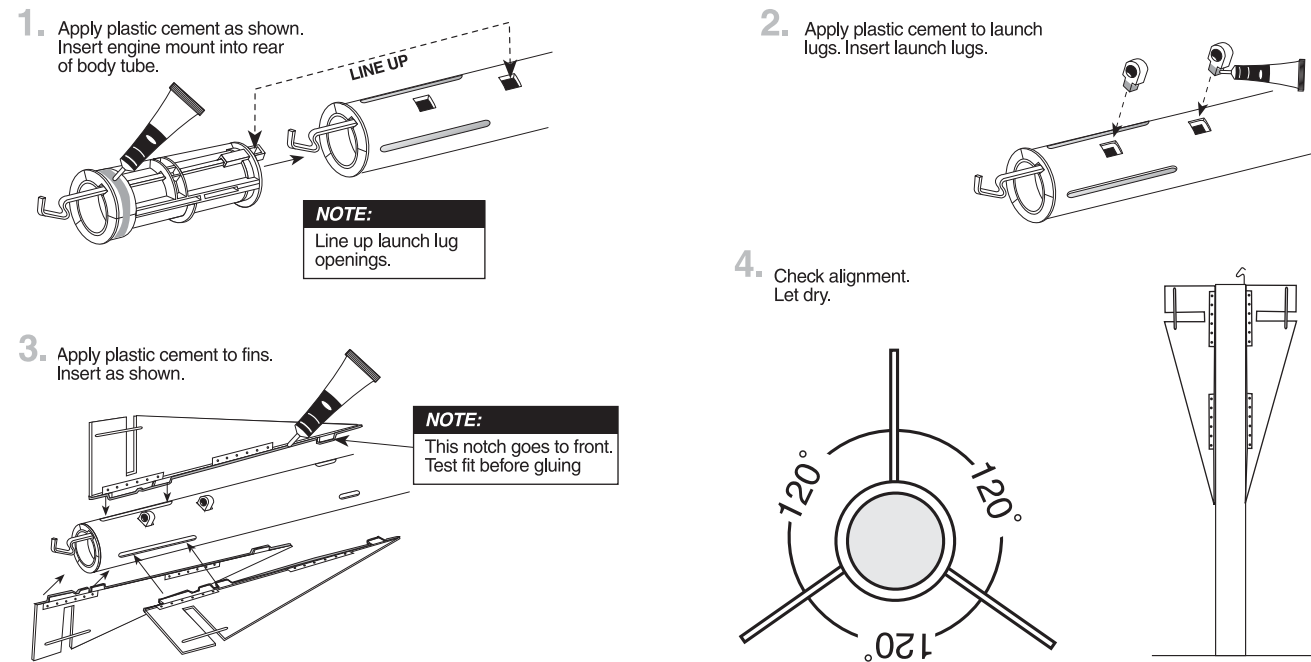
090001-7292
Self-stick decal



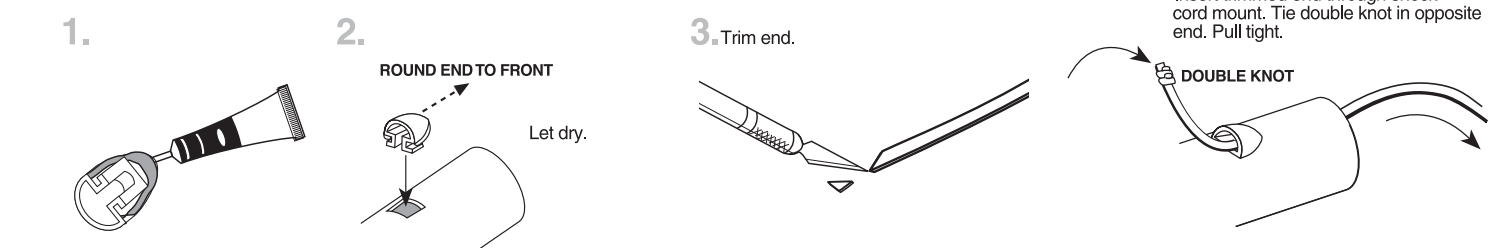
ASSEMBLE ENGINE MOUNT



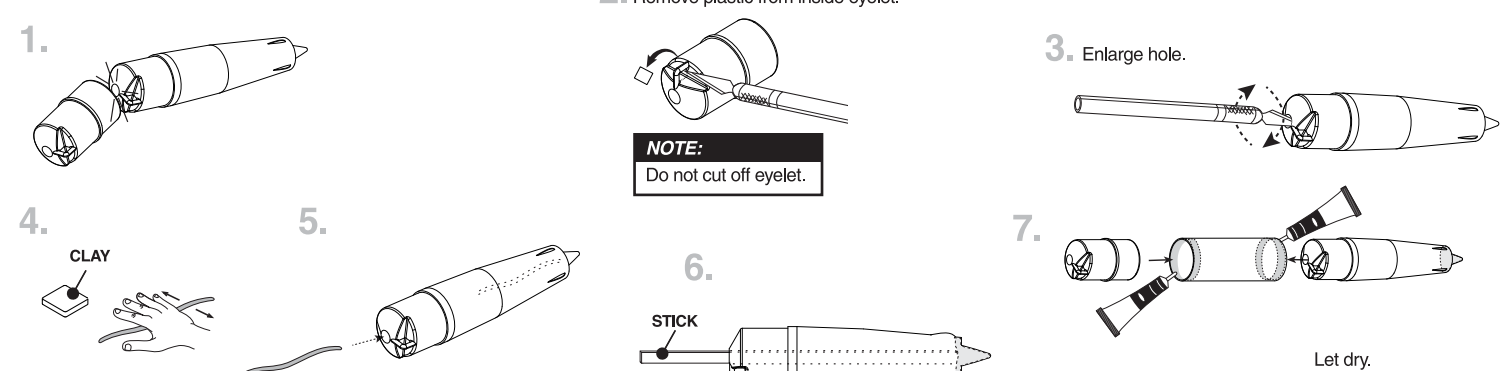
INSTALL ENGINE MOUNT



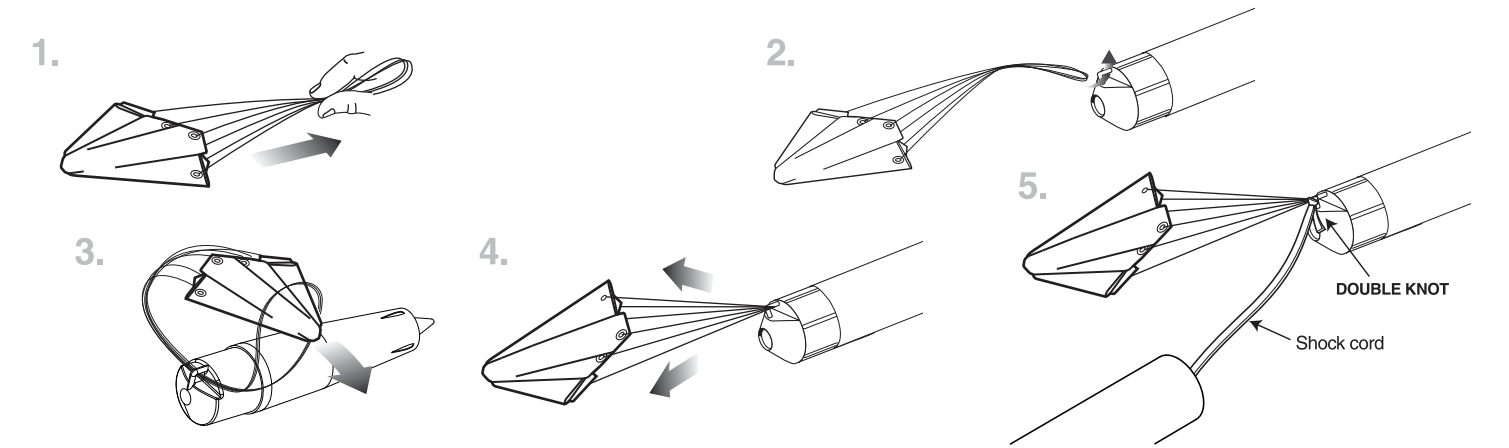
ATTACH SHOCK CORD MOUNT / INSTALL SHOCK CORD



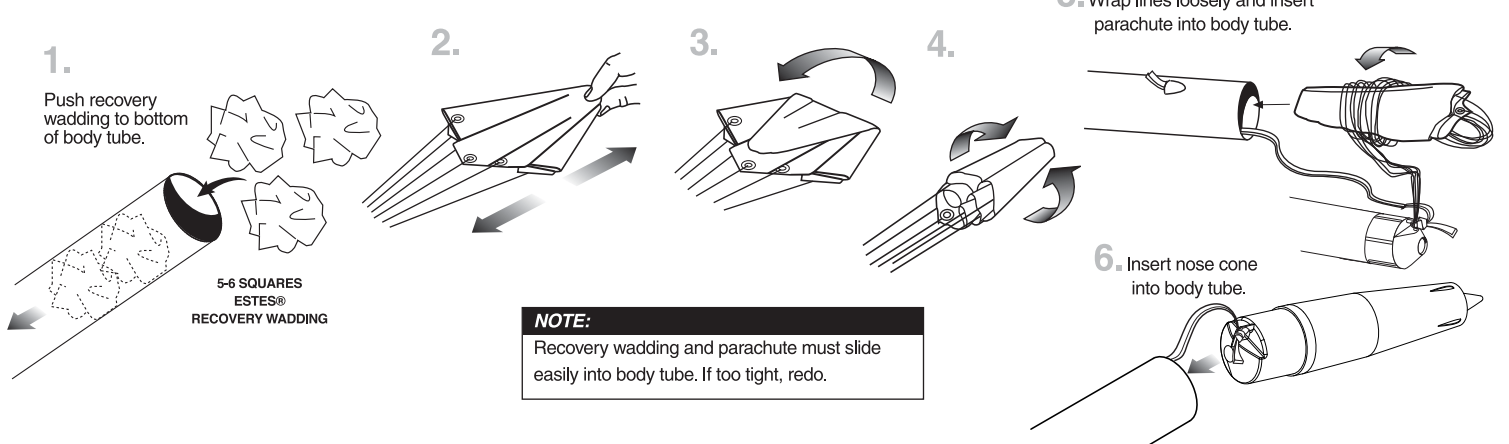
PREPARE NOSE CONE SECTION



PREPARE PARACHUTE

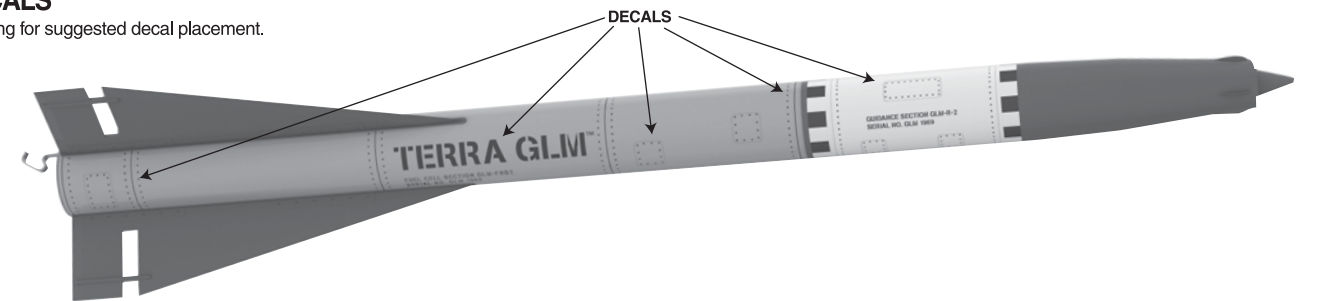


PREPARE FLIGHT RECOVERY

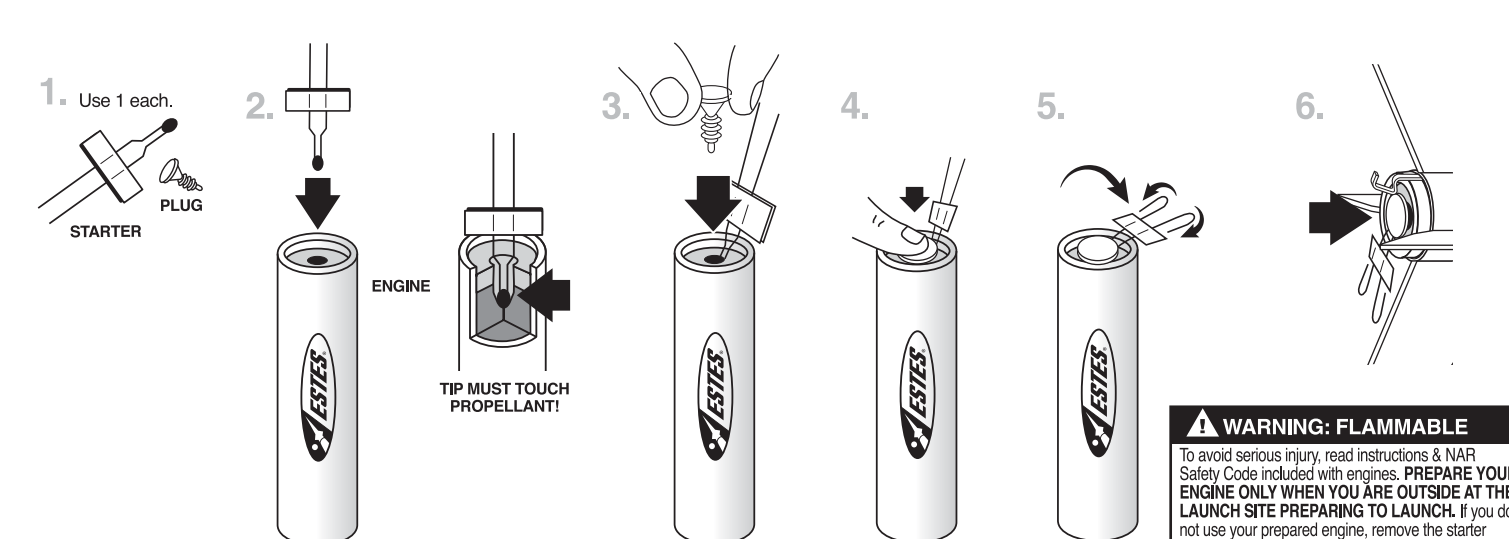


APPLY DECALS

Refer to packaging for suggested decal placement.



PREPARE ENGINE



⚠ WARNING: FLAMMABLE
To avoid serious injury, read instructions & NAR Safety Code included with engines. **PREPARE YOUR ENGINE ONLY WHEN YOU ARE OUTSIDE AT THE LAUNCH SITE PREPARING TO LAUNCH.** If you do not use your prepared engine, remove the starter before storing your engine.