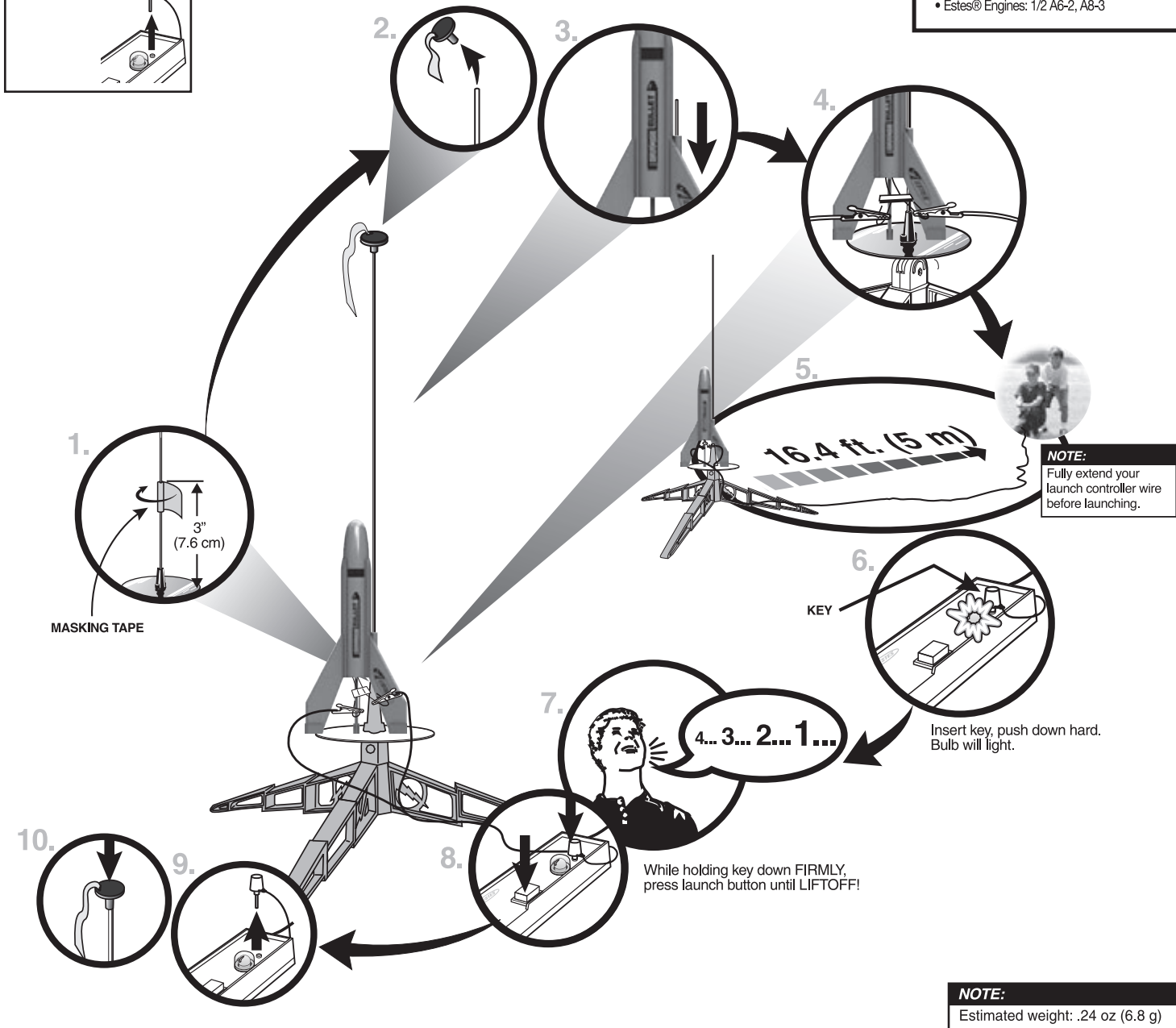


COUNTDOWN AND LAUNCH

NOTE:
Key always out until final countdown!

- ESTES® LAUNCH SUPPLIES NEEDED**
(Sold Separately)
- Launch Pad
 - Launch Controller
 - Starters (with engines)
 - Plugs (with engines)
 - Estes® Engines: 1/2 A6-2, A8-3



PRECAUTIONS



PRE-LAUNCH CHECK For safety, never launch a damaged rocket. Check the rocket's body, nose cone and fins. Also, check the engine mount, recovery system and launch lug(s). Repair any damage before launching the rocket.

FLYING YOUR ROCKET Choose a large field (500 ft. [152 m] square) free of dry weeds and brown grass. The larger the launch area, the better your chance of recovering your rocket. Football fields and playgrounds are great. Launch only with little or no wind and good visibility. Always follow the National Association of Rocketry (NAR) SAFETY CODE (enclosed).

MISFIRES TAKE THE KEY OUT OF THE CONTROLLER. WAIT ONE MINUTE BEFORE GOING NEAR THE ROCKET. Disconnect the micro-clips and remove the engine. Take the plug and starter out of the engine. A burned starter means the starter tip was not touching engine propellant. Install a new starter; be sure the tip is touching propellant inside the engine. Push the plug in place. Repeat steps under Countdown and Launch.



ORANGE BULLET™

7295



MODEL ROCKET INSTRUCTIONS

KEEP FOR FUTURE REFERENCE

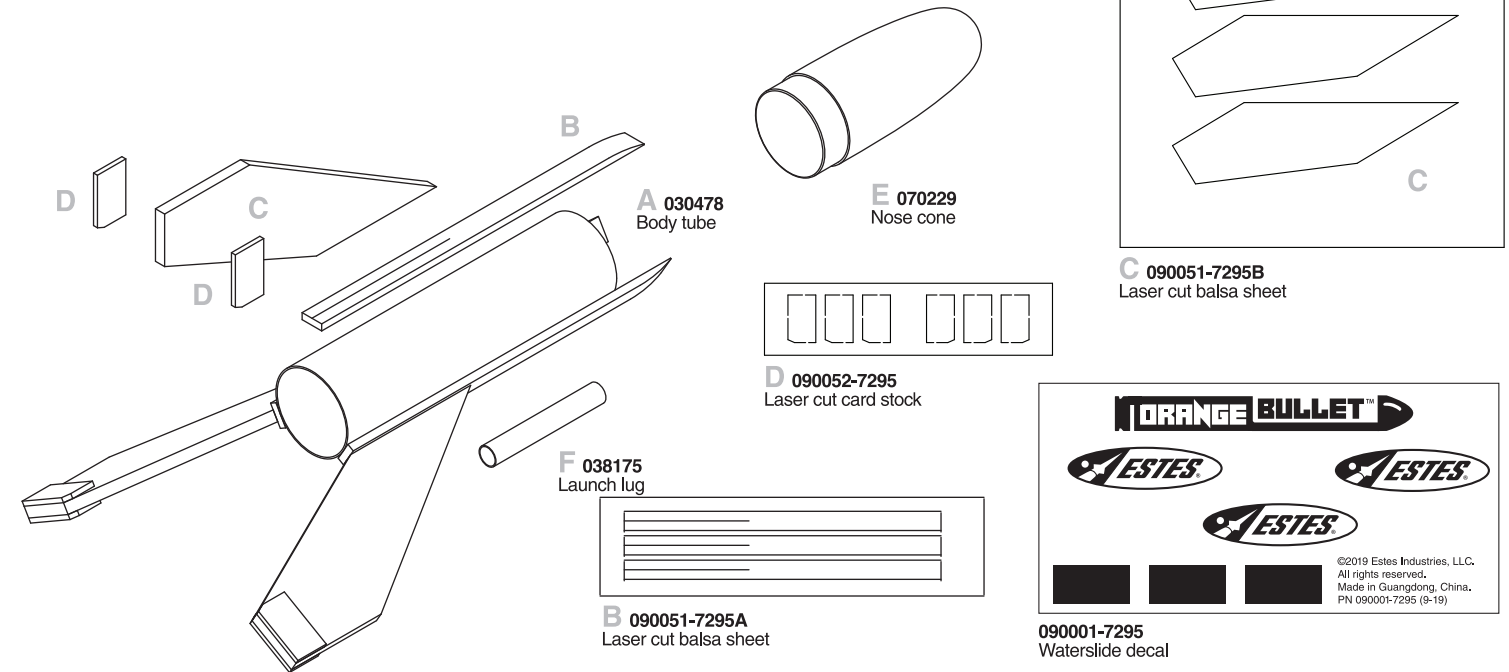
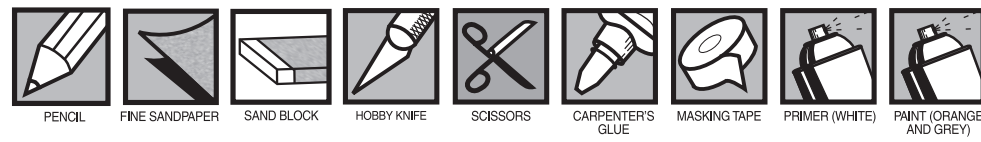
Designer Signature Series™

The Orange Bullet was a study in changing the center of gravity for a safe recovery. It was designed to kick the engine out at apogee of flight and then lay on its side and gently tumble instead of streamlining in nose first. It had small metal plates on the fins to reliably shift the weight after the engine ejected. This modern replica eliminates the forward vent holes and does not use the metal plates to shift the CG. It still functions the same by kicking the engine out at apogee and then safely recovering. Today we call this "featherweight recovery".

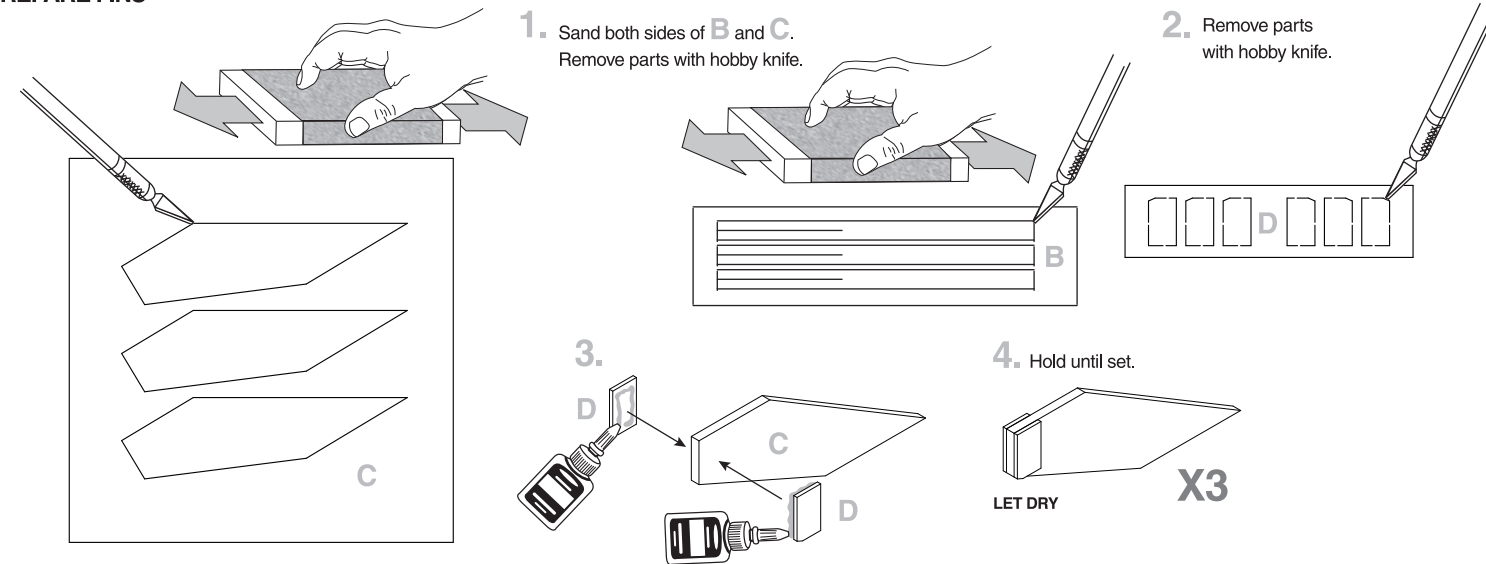
Van Carter

IMPORTANT: Please record date found on decal and keep for future reference. _____

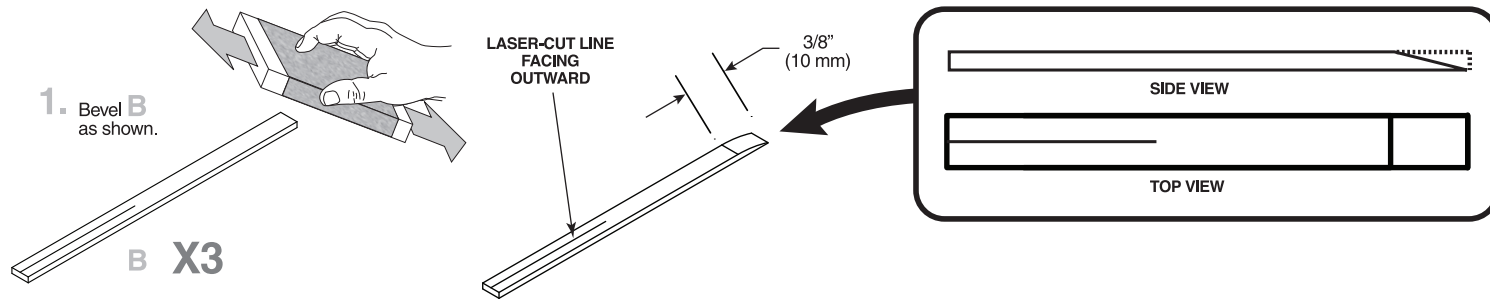
Read all instructions. Make sure you have all parts and supplies. Test fit all parts before applying glue. Product color and shape may vary.



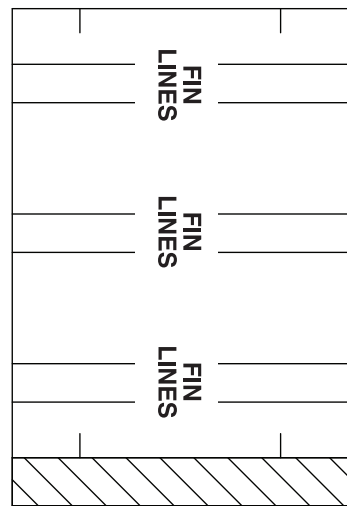
PREPARE FINS



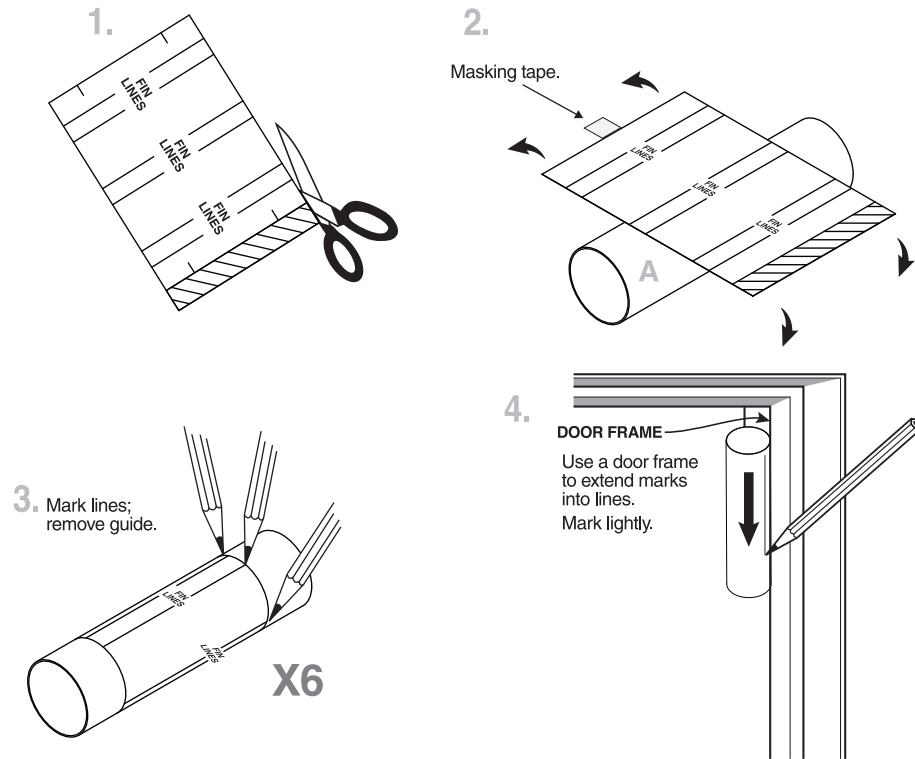
PREPARE FIN SUPPORTS



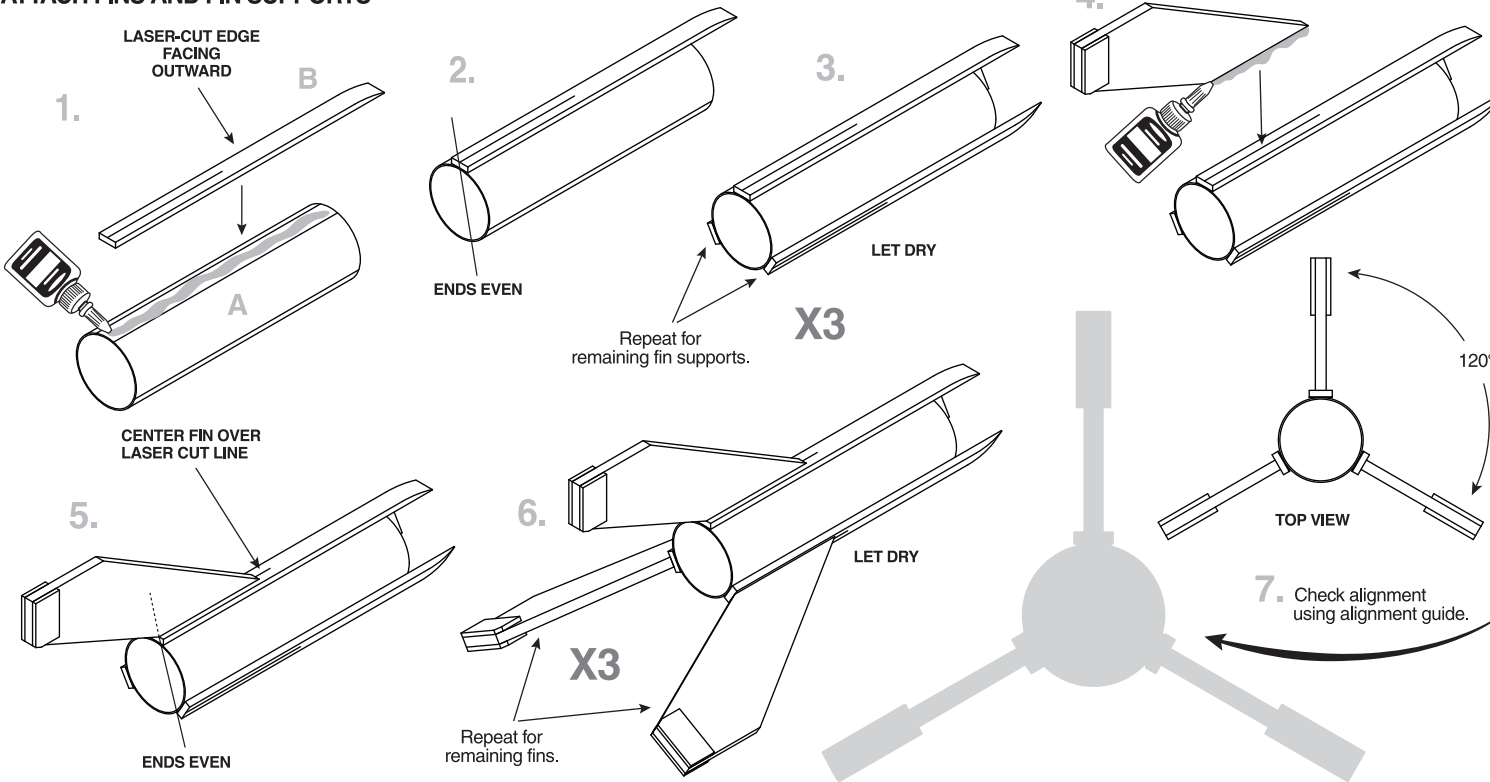
TUBE MARKING GUIDE



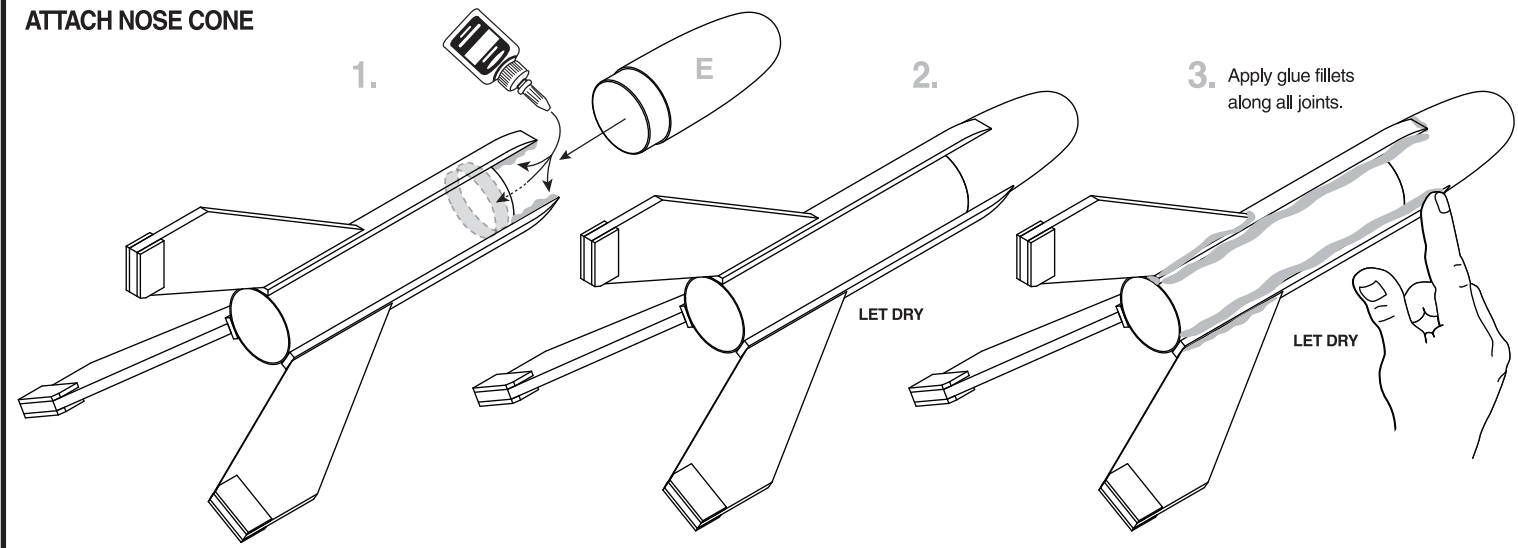
Make a copy if you want to keep instructions.



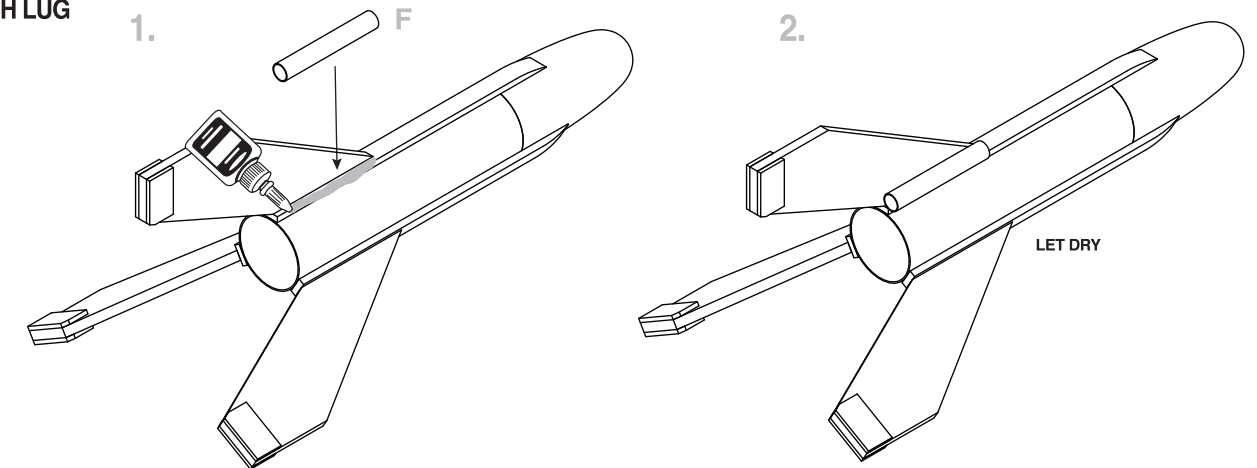
ATTACH FINS AND FIN SUPPORTS



ATTACH NOSE CONE

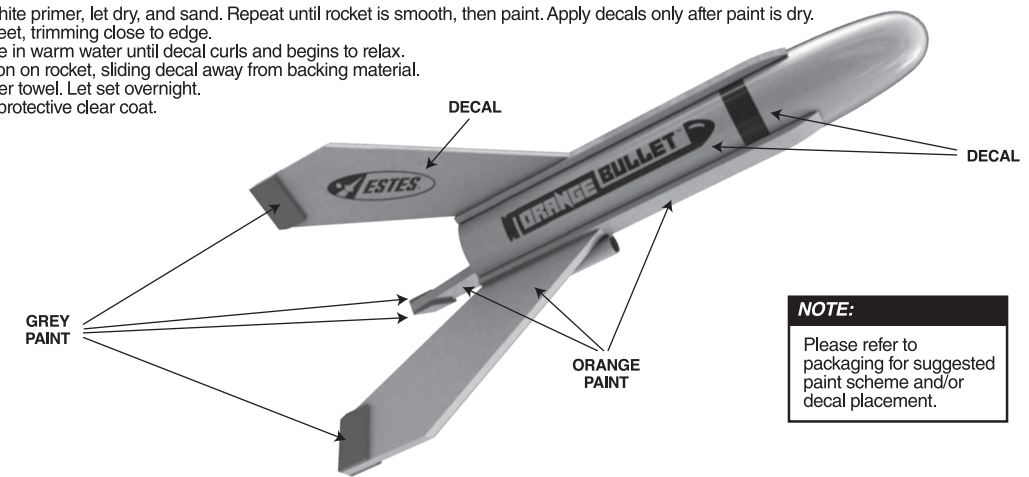


ATTACH LAUNCH LUG



ROCKET FINISHING

1. Spray rocket with white primer, let dry, and sand. Repeat until rocket is smooth, then paint. Apply decals only after paint is dry.
2. Cut decals from sheet, trimming close to edge.
3. One at a time, place in warm water until decal curls and begins to relax.
4. Remove and position on rocket, sliding decal away from backing material.
5. Blot with clean paper towel. Let set overnight.
6. OPTIONAL: Apply protective clear coat.



PREPARE ENGINE

